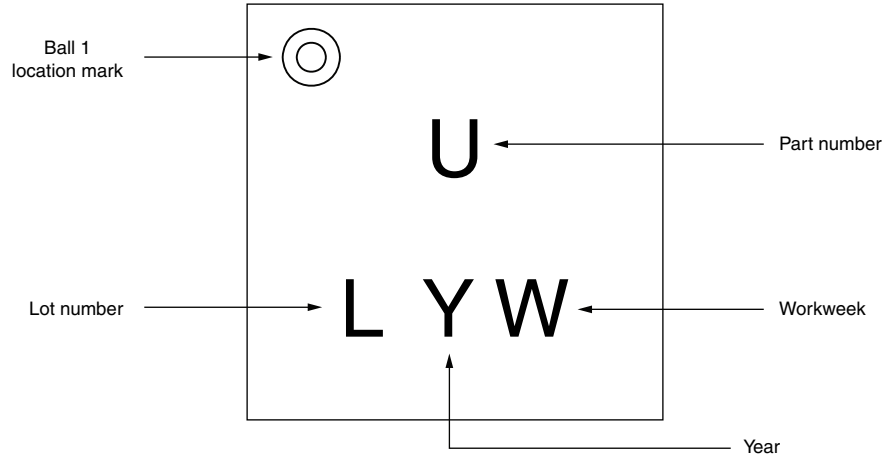


FlipKY® 1.0 A/1.5 A



| PART NUMBER | MARKING |
|-------------|---------|
| FCSP130LTR | U |
| FCSP140LTR | N |
| FCSP1H40LTR | M |
| FCSP230LTR | R |
| FCSP240LTR | S |
| FCSP2H40LTR | T |

| TABLE 1 | | | | | | | |
|--|---|----|------|--------------------------------------|---|----|------|
| W = (1 TO 26) IF PRECEDED BY LAST DIGIT OF CALENDAR YEAR | | | | W = (27 TO 52) IF PRECEDED BY LETTER | | | |
| YEAR | Y | W | CODE | YEAR | Y | W | CODE |
| 2001 | 1 | 01 | A | 2001 | A | 27 | A |
| 2002 | 2 | 02 | B | 2002 | B | 28 | B |
| 2003 | 3 | 03 | C | 2003 | C | 29 | C |
| 2004 | 4 | 04 | D | 2004 | D | 30 | D |
| 2005 | 5 | ↓ | ↓ | 2005 | E | ↓ | ↓ |
| 2006 | 6 | | | 2006 | F | | |
| 2007 | 7 | | | 2007 | G | | |
| 2008 | 8 | | | 2008 | H | | |
| 2009 | 9 | | | 2009 | J | | |
| 2010 | 0 | 26 | Z | 2010 | K | 52 | Z |

Notes

- Example:
 YW = 9632 = FF
 YW = 9603 = 6C
- L = Last digit of Vishay HPP system (SPN)